



**DELTA SERVICE
AUTOMATION**

INKJET MARKER 9410

*Inkjet marker for micro-
characters designed to
maintain a total availability
high productive cadences and
protect every product with
the right code.*

Delta Service Automation s.r.l.

Via Campo Bratela 119/A2
20069 VAPRIO D'ADDA (MI)

Tel: +39 02. 90988148

Fax: +39 02. 90988632

info@deltaservicesrl.com

www.deltaservicesrl.com



INTEGRATED EFFICIENCY

Calm and serenity for 5 years* thanks
to our **LONGEVITY** assistance
package.

SMART DESIGN, TOTAL COST INCLUDED

20% lowered usage material
and energy use** .
Optimized waste management costs.

EASY AND FLAWLESS USE

Clean and secure, our innovative
cartridges system doesn't require
any configuration and deletes usage
materials managing flaws.

99,9% AVAILABILITY

Ensure initial machine's performances
for 36, 48 or 60 months thanks to
custom assistance packages.

HYGIENE: EFFECTIVE CLEANSING (SERIAL IP55 PROTECTION)

Install it where you want! Cleansing
with under pressure water spout and
industrial detergent are enough to
please hygiene requisite



ENOUGH WITH WASTES AND PRODUCT RECALL

A better user experience, along with
a last generation vision system, to
guarantee a perfect product coding and
minimize wastes.

IMPROVED USER EXPERIENCE

Configure jobs and block them directly
on the color touch screen.

SAFE CODING CONFIGURATION

The online guide system in local
language guides the operator step by
step to guarantee that the coding is
the wanted one.

PRACTICE COSTS CONTAINMENT

Smart monitoring system, with easy
production and maintenance
history access.

DATA INPUT CONSTANTLY UNDER CONTROL

User access and password management
can be configured based on specific
needs for a major control.

CENTRALIZED CODE MANAGEMENT

Create images and place online markers
thanks to CoLos software (optional).



MAJOR CODING CAPABILITIES

Develop marketing campaigns
and achieve your traceability and
sustainability goals.

PROMOTE YOUR BRAND

Print a QR code to promote
your brand and generate traffic
on your website.

WIDE CHOICE OF CODES AND LANGUAGES

Text, logos and 2D barcodes available
in 35 languages.

WIDE RANGE OF INKS FOR TRACEABILITY AND SUSTAINABILITY

High adherence and contrast level
inks, available in various colors based
on your needs. eco-friendly inks and
anti-forgery solutions.



*Warranty limited to spare parts. See conditions.

**In relation to others equal-category markers.

⚙️ SPECIFICATIONS ⚙️

Main features

- Message storage capacity up to 100
- International user interface with a wide range of available languages
- 7 inches color touch screen, with WYSIWYG view: real time indications of print's autonomy expressed in hours and in messages number, integrated alarm and assistance system, simplified messages management and creation and user profiles creation
- USB e SD inputs
- Guaranteed printing quality thanks to Jet Speed Control
- Automatic font selection based on printing speed and head/object distance
- Polyvalent inks, at high performances; ketone and MEK-free inks
- 0,8 liters sealed cartridges with anti-error security system
- Quick accessories connection and disconnection (photocell, alarm and encoder)
- Ethernet interface
- Specific date management (date rounding function)

Other features

- Weight: 25 kg
- Marker integration on a vertical support or on level ground
- 3 meters ultra-flexible navel
- Cabinet and printing head cased fully in stainless steel
- Water/dust protection level: IP55 without compressed air connection
- Working temperature: from 0 to 40° based on the ink
- Humidity rate: from 10 to 90% without condensing
- Electric supply: 100-200 V o 200-240 V with automatic commutation; 50/60 Hzn frequency; 60 VA power

Print specifications

- Single-spurt head
- G head(71 dpi printing resolution)
- Up to 5 lines of print
- Printing speed: up to 4,6 m/sec.
- Characters height from 5 to 32 points per multi text messages
- Font height from 1,5 to 11 mm
- EAN8/EAN13/UPCA/UPCE barcodes, code 39, 2/5 interlaced, Datamatrix, QR code
- Wide codes choice (latin, arabic, cyrillic, hebraic, japanese, chinese, korean, ecc...)

Options

- Air pressurization kit
- RS-232/422 connection, parallel interface, numerous input/output switches that allows remote management
- 6 meters ultra-flexible navel

Accessories

- Marker supports: support foot (stainless steel or aluminum), wall installation set square or shelf
- Head support foot (stainless steel)
- Head fastening kit
- Encoder and photocells
- Luminous alarms (24 V)

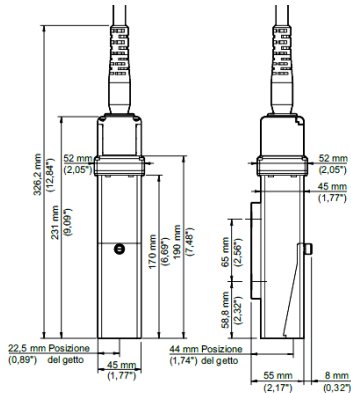
PC software

- CoLos Create Professional and CoLos Enterprise compatible and logos creation with CoLOS Graphic

Testa di stampa

Raggio minimo di curvatura dell'ombelico:

- Statico: 100 (3,93)
- Dinamico: 150 (5,90)



Cabinet

